

# AFC-600

## Atomflo™ Controller

The Atomflo™ 600 controller is the brains of the argon plasma system. It is equipped with a 600 W radio frequency (RF) power supply, auto-tuning matching network, three mass flow controllers for the argon and two process gases (oxygen, nitrogen, or hydrogen), a computer with Windows 10 operating system, and an eight-inch touch screen. LabVIEW software provides the user with a powerful interface to select recipes, choose control modes, and monitor the process conditions.

Controller features include:

- Real-time control of the RF power, argon and process gas flow rates, and plasma source temperature.
- Auto-tuning of the forward and reflected power using phase and magnitude detection.
- Unlimited storage of process recipes.
- Graph showing process parameters in real time.
- Warnings and alarms for out-of-spec process.
- Remote control and data logging via Ethernet.

For more information, contact Surfx at:

[sales@surfxtechnologies.com](mailto:sales@surfxtechnologies.com) or +1 310 558 0770.



## AF-600 Specifications

### Dimensions (W \* D \* H)

440 x 640 x 230 mm

17.3 x 25.1 x 9.1 inches

### RF power

Maximum 600 W

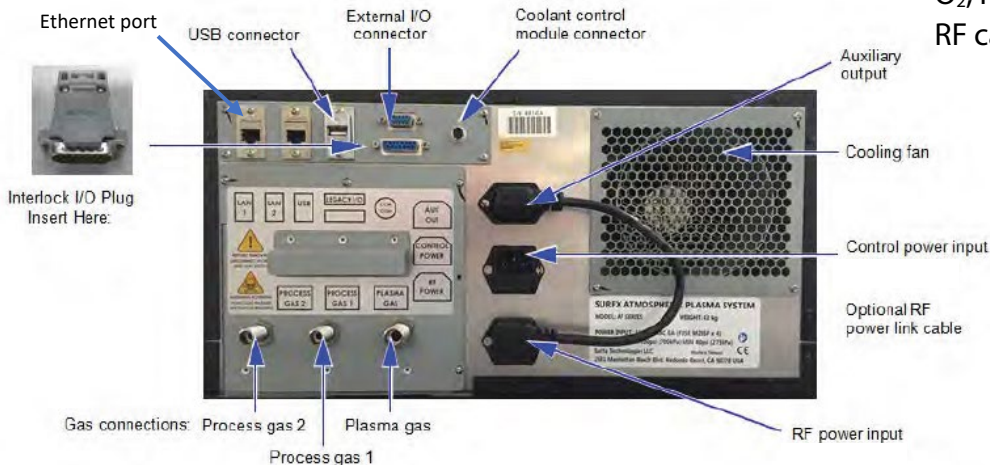
At 27.12 MHz

### Patented plasma technology

Atmospheric argon plasma

O<sub>2</sub>, H<sub>2</sub>, N<sub>2</sub> reactive gas chemistry

RF capacitive discharge



[www.surfxtechnologies.com](http://www.surfxtechnologies.com)

### North America

Surfx Technologies, LLC  
Los Angeles, CA, USA  
Ph: +1 (310) 558-0770  
[sales@surfxtechnologies.com](mailto:sales@surfxtechnologies.com)

### Asia

Surfx Technologies Taiwan Co. Ltd.  
Taichung City, Taiwan  
Ph: +886 4 2263 8200  
[salesasia@surfxtechnologies.com](mailto:salesasia@surfxtechnologies.com)

# AFC-600

The Atomflo™ 600 controller is designed to give our customers total control over the atmospheric pressure plasma with complete process traceability.

## Gas Facilities

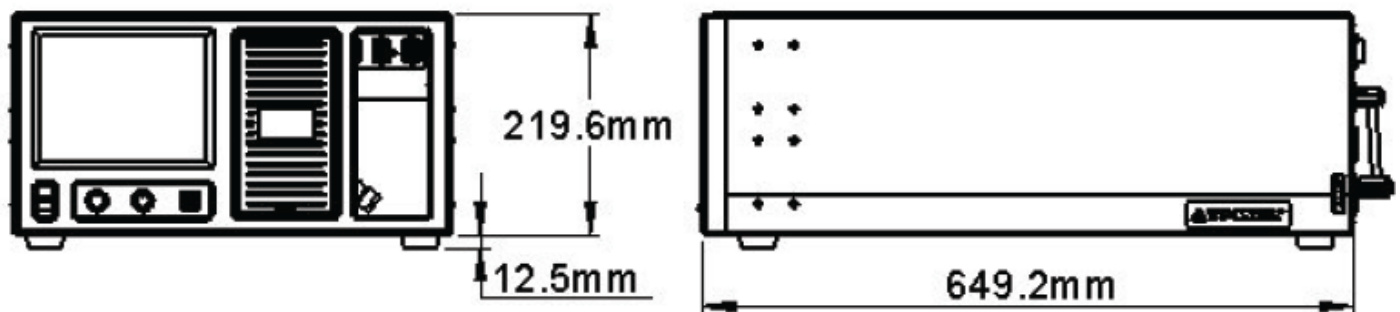
Plasma gases* (choose one)				
Type	Inlet Fitting**	Regulator	Max Flow (LPM)	Operating Pressure
Argon (Ar)	3/8-inch OD	CGA 580	40	0.35-0.7 MPa (50-100 psig)
Helium (He)	3/8-inch OD	CGA 580	60	0.35-0.7 MPa (50-100 psig)
Process gases* (choose two)				
Type	Inlet Fitting**	Regulator	Max Flow (LPM)	Supply Gas Pressure
Oxygen (O <sub>2</sub> )	1/4-inch OD	CGA 540	0.60	0.35-0.7 MPa (50-100 psig)
Nitrogen (N <sub>2</sub> )	1/4-inch OD	CGA 580	0.60	0.35-0.7 MPa (50-100 psig)
5.0% H <sub>2</sub> in argon	1/4-inch OD	CGA 580	10.0	0.35-0.7 MPa (50-100 psig)

\*Gas purity should be at least 99.99% (industrial grade).

\*\*Swagelok bulkhead connector.

## Facilities

Specifications	
Power supply	200 – 240 VAC, 8 A, 50/60 Hz
Air supply (CDA)	None
Dimensions (W*D*H)	437 x 650 x 232 mm (17.2 x 25.6 x 9.1 inches)
Weight	29 kg (64 lbs)



[www.surfxtechnologies.com](http://www.surfxtechnologies.com)

**North America**  
Surfx Technologies, LLC  
Los Angeles, CA, USA  
Ph: +1 (310) 558-0770  
[sales@surfxtechnologies.com](mailto:sales@surfxtechnologies.com)

**Asia**  
Surfx Technologies Taiwan Co. Ltd.  
Taichung City, Taiwan  
Ph: +886 4 2263 8200  
[salesasia@surfxtechnologies.com](mailto:salesasia@surfxtechnologies.com)